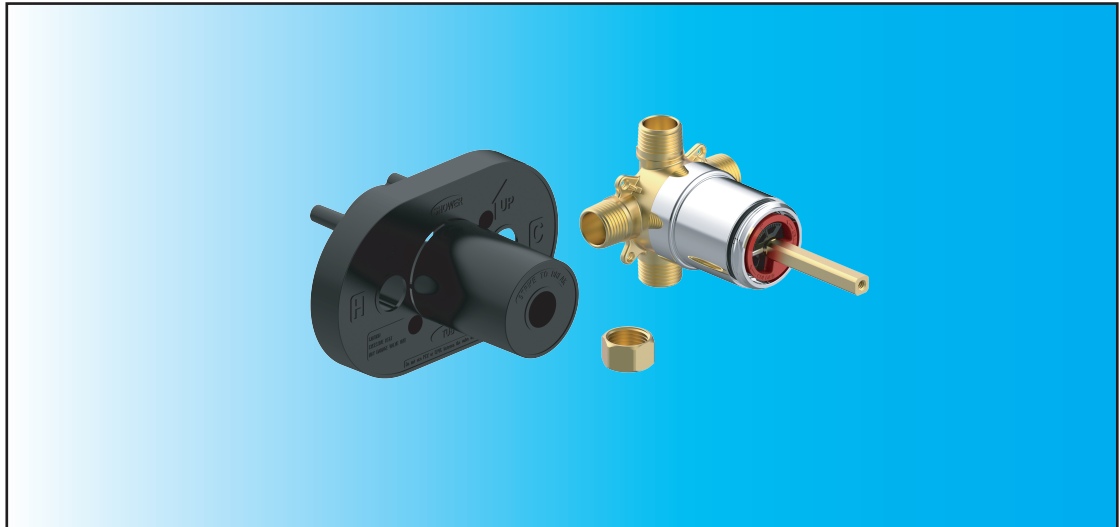


PRESSURE BALANCING VALVE BODY



FEATURES & BENEFITS

GLLR-799

- Ceramic Cartridge
- CC/MIP
- Less Stops

Approvals:

Meets or Exceeds The Following:

- * ANSI/ASME A112.18.1
- * IAPMO/cUPC
- * ASSE 1016-2005



TEL: 888-649-0605

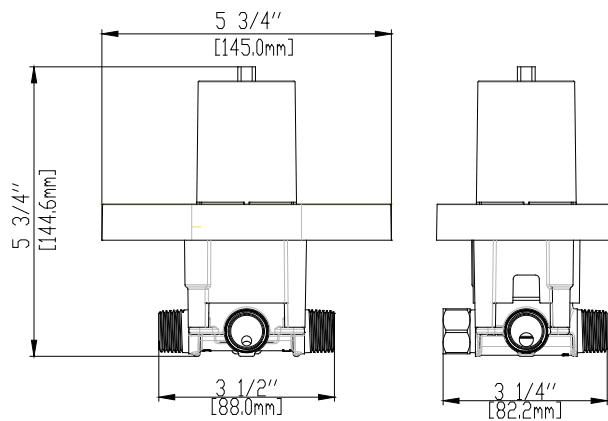
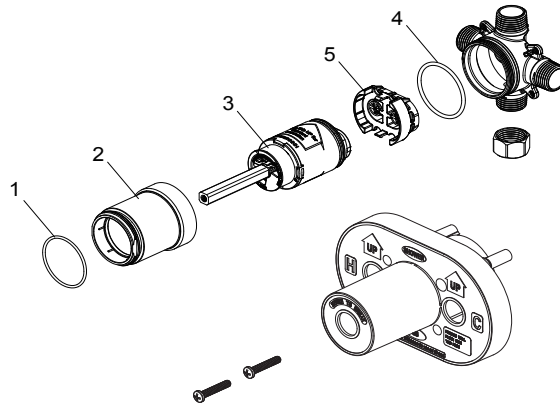
FAX: 877-892-1950

Visit Our Web Site : www.gemlinefaucets.com

Product Spec Sheet

PRESSURE BALANCING VALVE BODY

| No. | Name | Part No. |
|-----|---------------------------------------|----------|
| 1 | O-ring / A rotórico | RP60091 |
| 2 | Bonnet / Bonete | RP70798 |
| 3 | Cartridge / Cartucho | RP20131 |
| 4 | O-ring / A rotórico | RP60130 |
| 5 | Cartridge Seat / Asiento del cartucho | RP70799 |



Product Spec Sheet